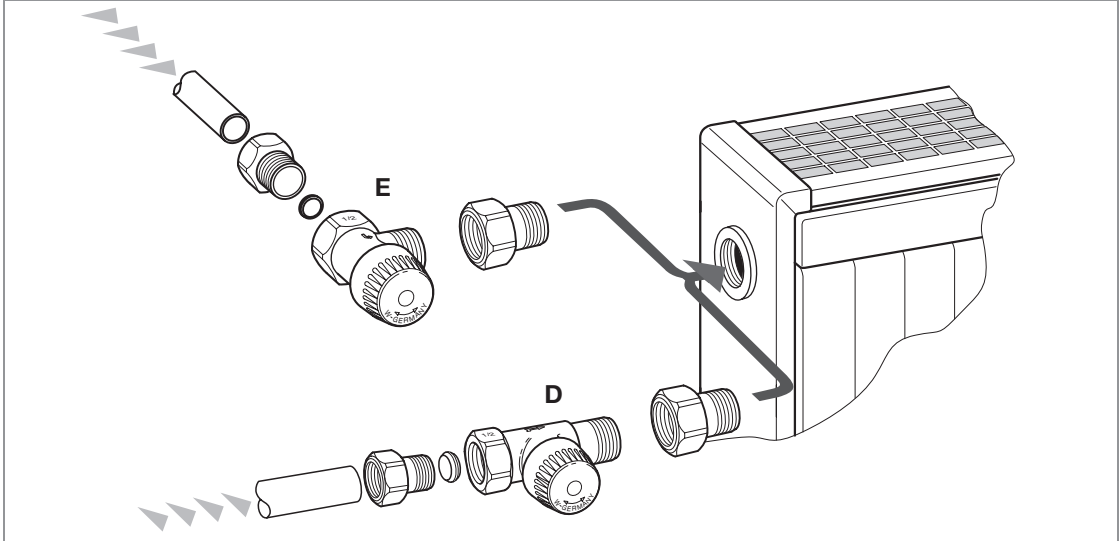


	<p>2 - 130°C (36 - 266°F) Max. 10bar (145psi)</p>	<p>$\Delta p_{max} = 1.0\text{bar (14.5psi)}$ DN10 kv = 1.70 (cv = 1.99) DN15 kv = 1.85 (cv = 2.16) DN20 kv = 1.95 (cv = 2.28) M30 x1.5</p>	
--	---	--	--



<p>VPT70-01 (DN10*) VPT70-02 (DN15*) VPT70-03 (DN20)</p>	<p>VPT71-01 (DN10*) VPT71-02 (DN15*) VPT71-03 (DN20)</p>
--	--

* certified according to EN215



<p>A</p>	<p>B</p>	<p>C</p>
<p>D</p> <p>$\alpha=90^\circ$ $\alpha=0^\circ$</p> <p>DN10: 40Nm DN15: 60Nm DN20: 80Nm</p>	<p>E</p>	<p>F</p>
<p>G</p>	<p>H n=1...14 → Tab. 1</p> <p>n=4 n=14 max.</p>	<p>I</p>

Tab.1

